

ecocal & eclipse

radiator valve accessories



altecnic



Radiator Drain Off Tail Piece

Application

The radiator drain off tail piece can be used in combination with the radiator valves to drain an individual radiator or as part of a full system drain.

The hose connection when used with the correct diameter of hose minimises spillage and allows the water to be directed to a suitable drain or receptacle.

Design

Compliments the radiator valve with a chrome finish.

Compact design.

Screw drive operated.

The disc/stem is mechanically retained to prevent removal and loss and allows controlled regulation of the discharge.



Push Fit Elbows

Application

The push fit elbows can be used in any 15mm compression joint.

They can be used with both straight or angled valves to change the direction of the supply pipe.

The 10mm push fit connection can be used with a wide range of pipe materials including copper, PEX and PB pipes.

10mm copper tube can be used without additional adaptors.

The push fit joint is easy to make and saves time during installation.

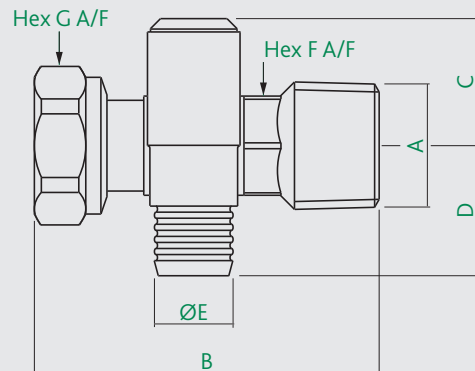
The small bore pipe can be embedded or hidden in the adjacent wall making a neat installation without the need to cut floors or floor coverings.

Design

Compliments the radiators valve with a chrome finish.

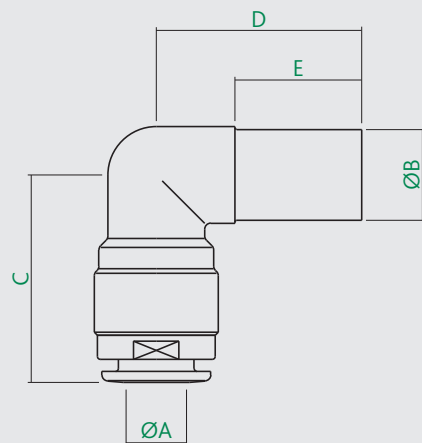
The fitting is demountable allowing the pipe to be removed undamaged.

Dimensions - drain off tail piece



Prod. Code		YU-JQAL213HC						
A	B	C	D	E	F	G	kg	
R½	57	21	21.5	13	16.4	24	0.11	

Dimensions - push fit elbow



Prod. Code	A	B	C	D	E	kg*
459004	10	15	34.5	34	21	0.12

* weight per pair

Technical Specification

For the Radiator Drain Off Tail Piece and Push Fit Elbows.

Compliments the radiator valves with a chrome finish.

Medium:	water, glycol solution
Max. percentage of glycol:	30%
Max. working pressure	10 bar
Working temperature range:	5 to 100°C

E & O.E

Altecnic Ltd Mustang Drive, Stafford, Staffordshire ST16 1GW

T: +44 (0)1785 218200 E: sales@altecnic.co.uk

Registered in England No: 2095101

altecnic.co.uk

AL 127 24-01-13